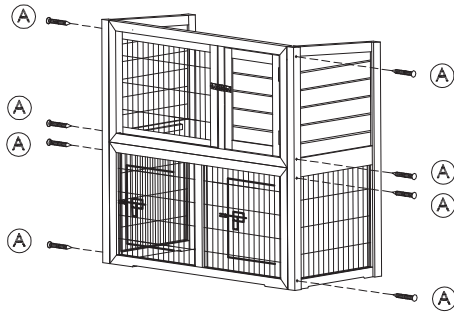
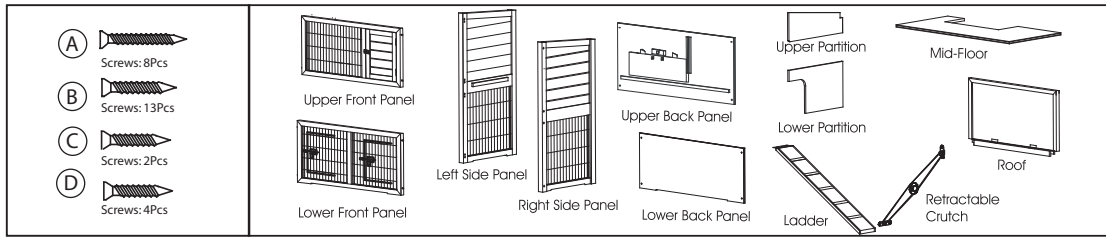
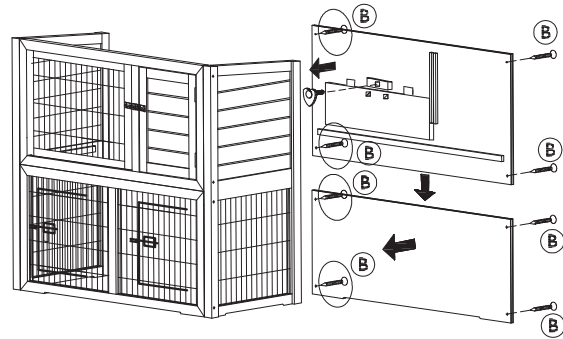


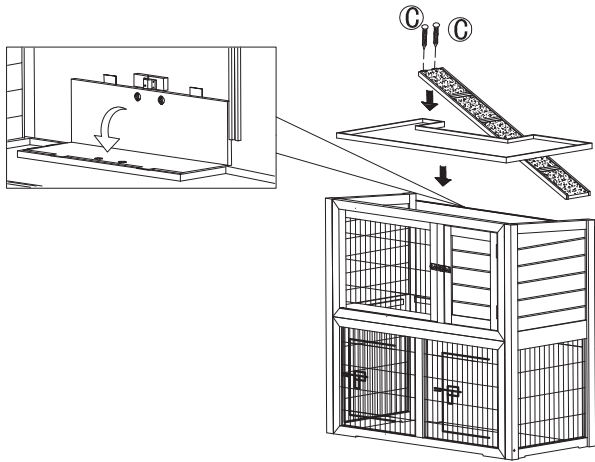
RABBIT HUTCH ASSEMBLY INSTRUCTION



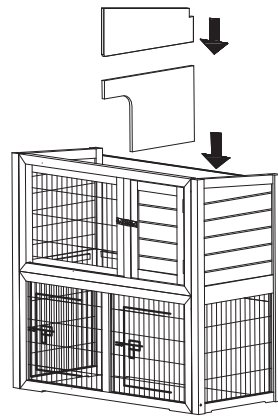
Step 1. Set up Front & Side Panels .



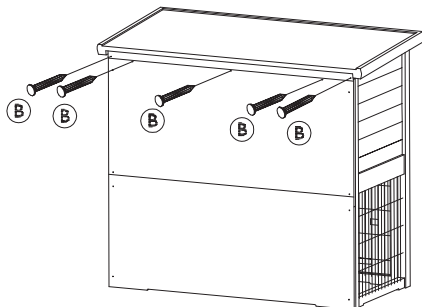
Step 2. Install the Lower & Upper Back Panels.



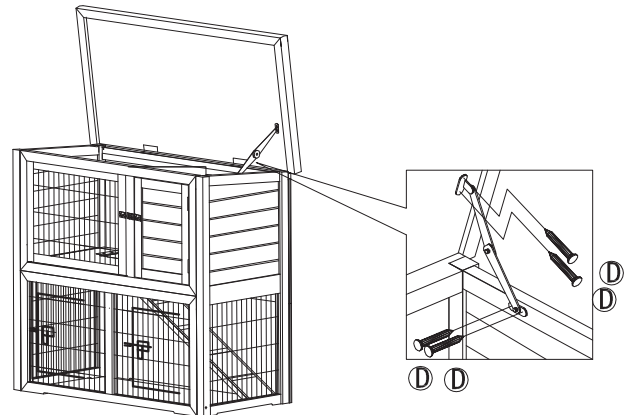
Step 3. Put down Mid-Floor & Ladder ,
Secure Ladder on Mid-Floor .



Step 4. put down lower and
upper partitions.



Step 5. secure roof.



Step 6. install retractable crutch.