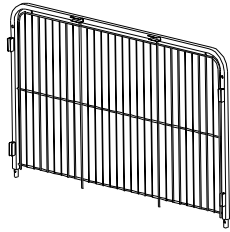


Assembly Instruction (3 Levels)

Parts



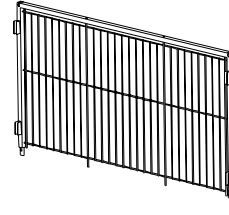
A=1X
Top Front Panel



B=1X
Top Back Panel



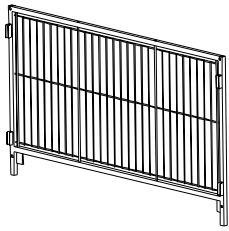
C=1X
Middle Front Panel



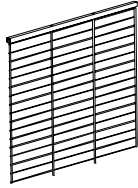
D=1X
Middle Back Panel



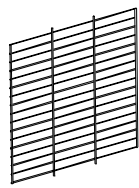
E=1X
Lower Front Panel



F=1X
Lower Back Panel



4=2X
Lower Side Grill



H=2X
Upper Side Grill



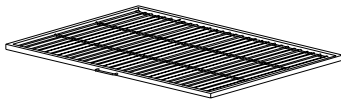
L=1X
Upper Door



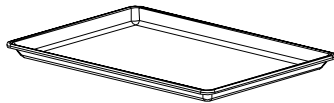
M=2X
Lower Door



I=1X
Top Grill



J=1X
Bottom Grill



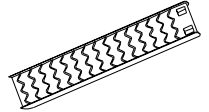
K=1X
Bottom Tray



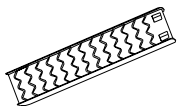
N=4X
Platform without hole



O=4X
Platform with hole



P=2X
Long Ladder



P₂=2X
Short Ladder



Q=2X
Lower Side Bar



R=1X
Feeder



S=4X
Wheel



T=1X
Water Bottle



U=16X
Screw (M6*35)



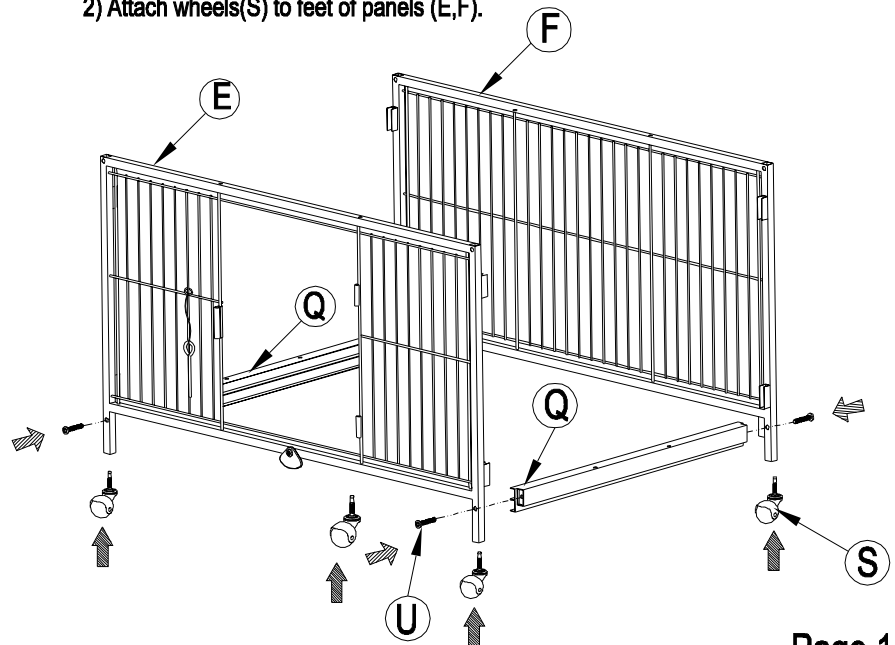
V=1X
Allen Wrench

Steps

ATTENTION: THESE STEPS REQUIRE TWO PEOPLE

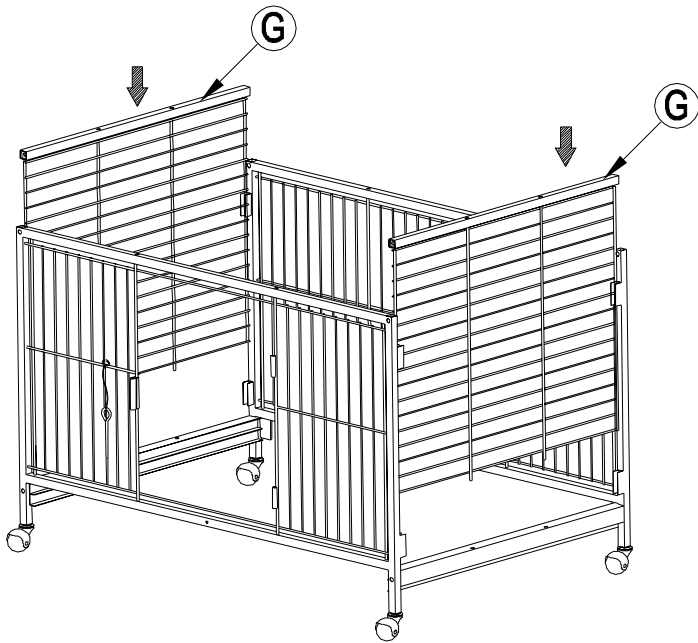
Step 1.

- 1) Assemble lower side bars(Q) with lower front&back panel(E,F) with screws(U);
- 2) Attach wheels(S) to feet of panels (E,F).



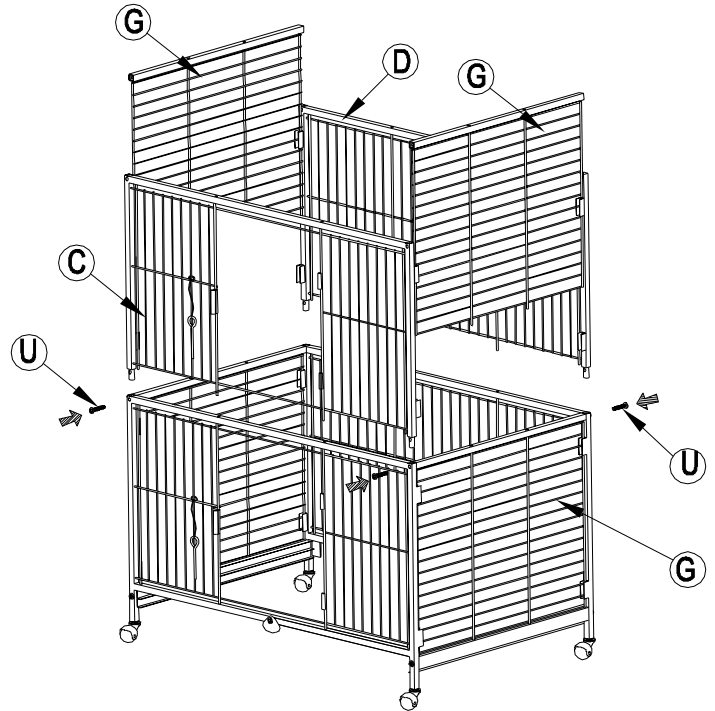
Step 2.

- 1) Insert lower side grill(G) into frame track of lower front&back panel(E,F);
- 2) Locate lower side grill(G) to the guide holes on lower bars(Q)



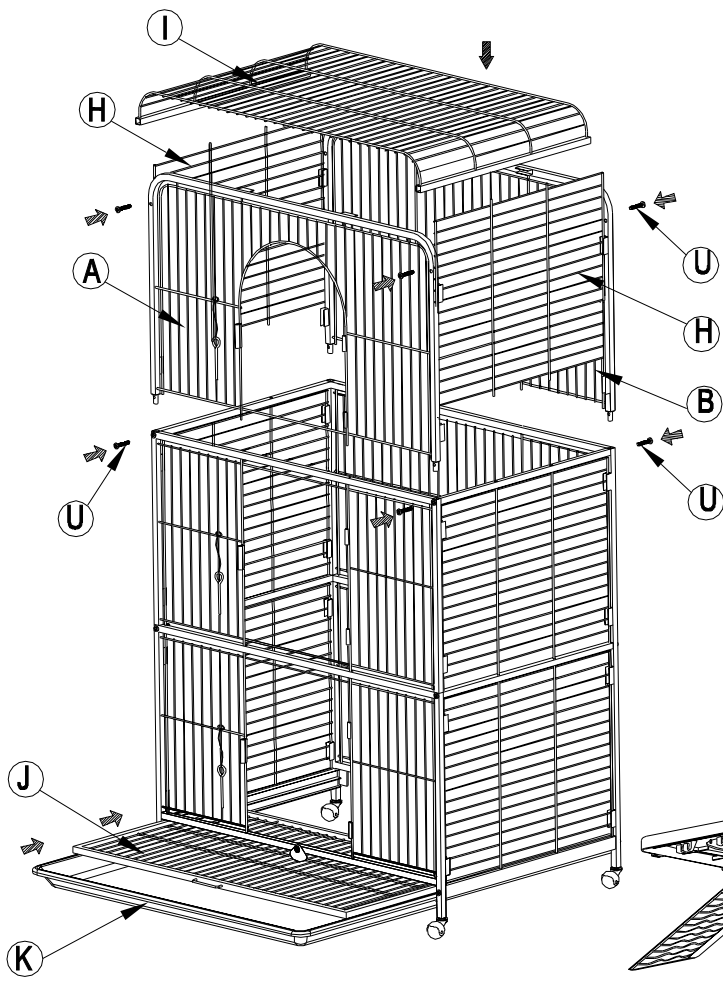
Step 3.

- 1) Assemble middle panels(C,D) with front&back body as shown.
- 2) Insert middle side grill(G) into side frame track of body panel and locate them well on guide holes of side bars.
- 3) Fix middle body panels(C,D)&lower side grills(G) with screws(U).



Step 4.

- 1) Assemble top grill(I) with upper body panels(A,B)&grills(H) and fix them with screws(U) as shown.
- 2) Assemble bottom grill(J),tray(K) as shown.



Step 5.

- Assemble platform(N),upper&lower door(L,M),long ladder(P₁), short ladder(P₂) as shown.

