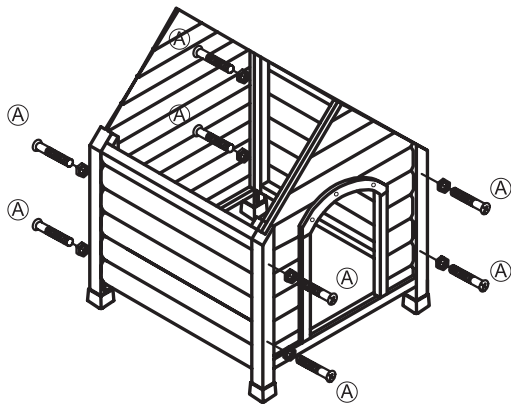
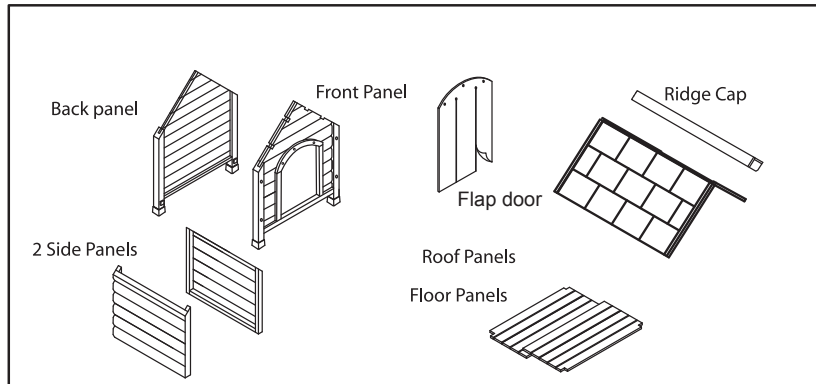
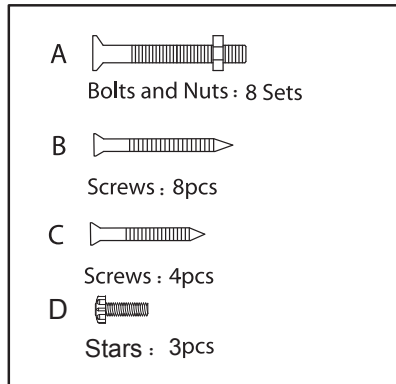
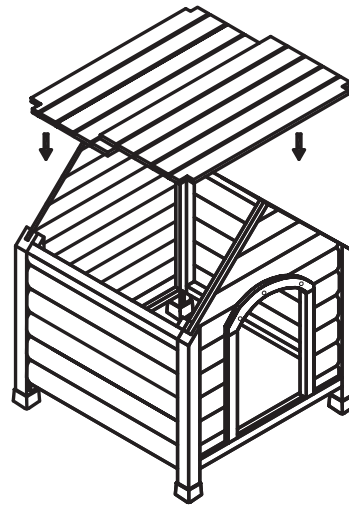


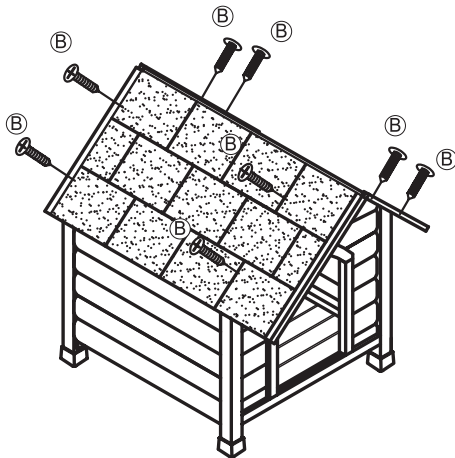
# DOG HOUSE ASSEMBLY INSTRUCTION



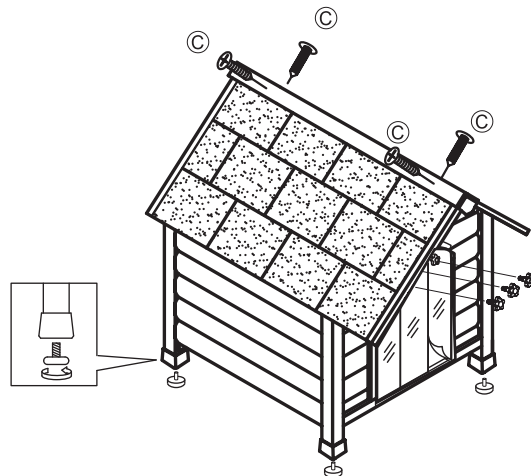
Step 1:  
Secure Side Panels with bolts and nuts.



Step 2:  
Drop in floor.



Step 3:  
Attach roofs and secure with screws.



Step 4  
Secure ridge cap onto roof with screws  
and attach flapdoor on the door.